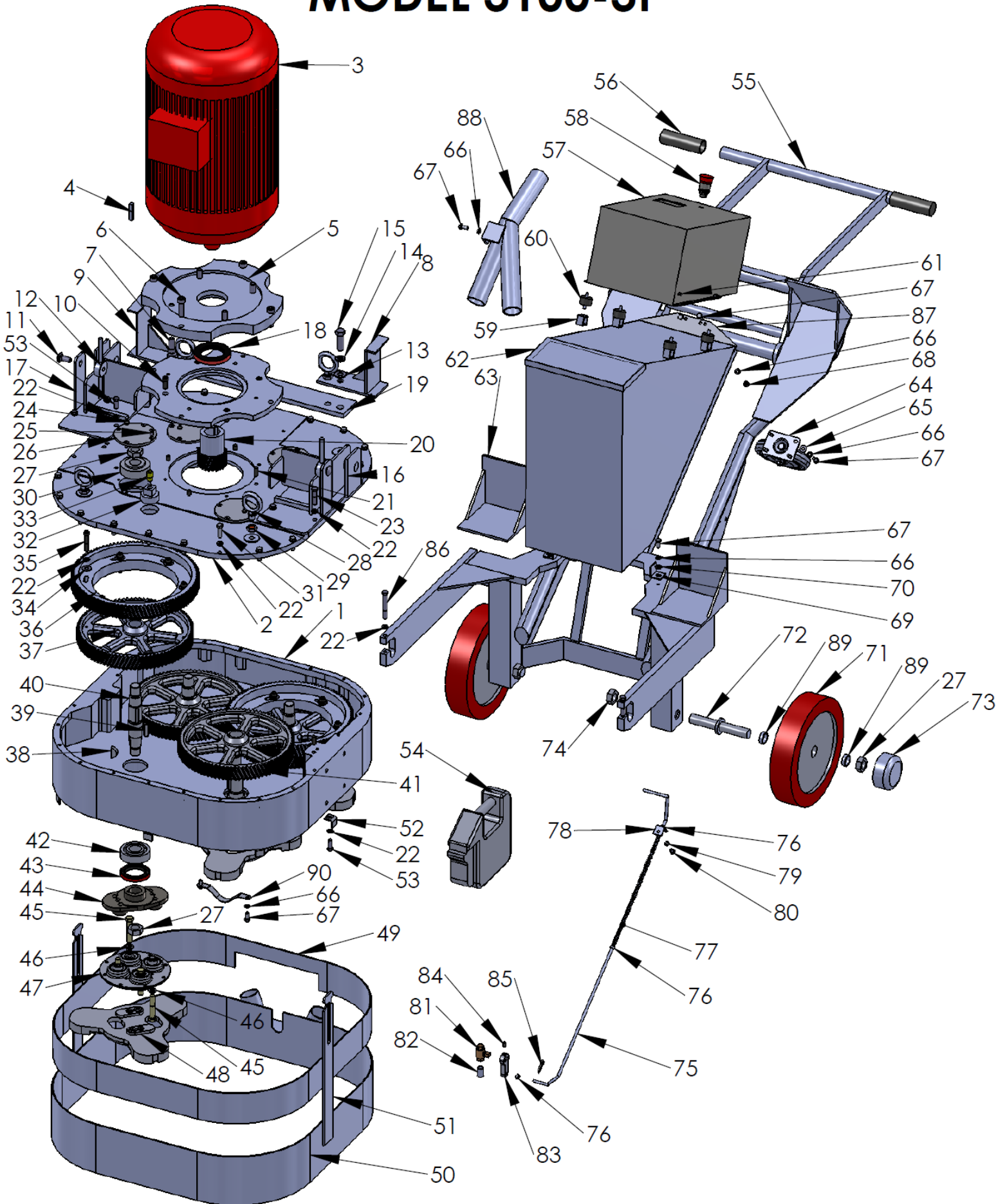


MODEL 3100-3P



ITEM NO.	PART NUMBER	DESCRIPTION	QTY.
1	FE 304	GEAR CASE	1
2	FE 305	GEAR CASE LID	1
3	FE 146	25 HP, 230/460 V, 3 PH, 60 Hz	1
4	FE 193	PINION KEY	1
5	FE 130-HS	MOTOR PLATE	1
6	T3048	CAPSCREW	4
7	X 032	CAPSCREW	4
8	FE 298L	TILT STOP - LEFT HAND	1
9	FE 298R	TILT STOP - RIGHT HAND	1
10	T2111	CAPSCREW	4
11	FE 153	CARRIAGE BOLT	2
12	FEN 009	SPLASH GUARD LOCK NUT	2
13	Z06-1116	WASHER	2
14	T2140	LOCK WASHER	2
15	Z02-1485	CAPSCREW	2
16	FE 297L	WEIGHT AND LIFT BRACKET	1
17	FE 297R	WEIGHT AND LIFT BRACKET	1
18	FE 249	GREASE SEAL	1
19	FE 310	TILT STOP MOUNT	1
20	FE 005B	PINION 3100-3P	1
	FE 245	HIGH SPEED PINION	1
21	FD 040	DOWEL PIN	6
22	T1022	LOCK WASHER	48
23	T1097	CAPSCREW	6
24	170	GREASE ZERK	4
25	T3011	CAPSCREW	16
26	FE 027	BEARING CAP	4
27	T2008	LOCK NUT	10
28	X 016	LIFT RING	4
29	T3050	JAM NUT	4
30	SM 043, SM 037	BEARING CONE AND CUP	4
31	T1025	CAPSCREW	17
32	X 100	PIPE PLUG	1
33	DS 184	BREATHER CAP	1
34	T3028	WROUGHT WASHER	12
35	T2099	CAPSCREW	12
36	FE 125B	DRIVE GEAR	2
37	FE 004B	DRIVEN GEAR - RH	2
38	T 2012	WOODRUFF KEY	4
39	SM 072	HELICAL GEAR KEY	4
40	SM 016	HELICAL GEAR SHAFT	4

ITEM NO.	PART NUMBER	DESCRIPTION	QTY.
41	SM 015L	HELICAL GEAR - LH	2
42	SM 036, SM 037	BEARING CONE AND CUP	4
43	SM 169	GREASE SEAL	4
44	SM 500	DRIVE PLATE	4
45	SM 171	CAPSCREW	16
46	T1012	LOCK WASHER	16
47	SM 088	FLEXIBLE COUPLING	4
48	SM 491	SPEED SHIFT TOOL PLATE	4
	SM 192B	PLUG STONE HOLDER	4
	SM 492	UNIVERSAL TOOL PLATE	4
49	FE 021-SS	STATIONARY GUARD - SS	1
	FE 021	STATIONARY GUARD	1
50	FE 003-SS	ADJUSTABLE GUARD - SS	1
	FEN 010	ADJUSTABLE GUARD	1
51	FE 029	ADJUSTABLE GUARD STRAP	2
52	SM 028	GUARD BRACKET	9
53	T2013	CAPSCREW	13
54	FE 246	42 LB POCKET WEIGHT	4
55	FEN 027	HANDLE BAR	1
56	SM 057	HANDLE GRIPS	2
57	FE 276	INVERTER DRIVE 25 HP, 460 V, 3 PH	1
	FE 279	INVERTER DRIVE 25 HP, 230 V, 3 PH	1
	FE 142	MANUAL START 25 HP, 230 V, 3PH	1
	FE 142-380	MANUAL START 25 HP, 380 V, 3PH	1
	FE 142-415	MANUAL START 25 HP, 415 V, 3PH	1
	FE 142-460	MANUAL START 25 HP, 460 V, 3PH	1
58	LW 076	EMERGENCY STOP	1
59	X-84	SWITCH BOX MOUNTING BRACKET	4
60	FE 251	VIBRATION MOUNT	4
61	05-5010-9	HEX HEAD NUT	6
62	FE 031B-SS	WATER TANK	1
63	FE 272	CENTER WEIGHT BASKET	2
64	HB 088A	CASTER	1
65	T3015	WROUGHT WASHER	4
66	T1007	LOCK WASHER	9
67	T2130	CAPSCREW	9
68	T2025	HEX HEAD NUT	2
69	FE 133-SS	WATER TANK CLIP	2
70	T2148	WASHER	2
71	DS 007	12" WHEEL	2
72	FE 020B	WHEEL SHAFT	2
73	DS 005	WHEEL CAP	2

ITEM NO.	PART NUMBER	DESCRIPTION	QTY.
74	T 2007	JAM NUT	2
75	FE 078A	WATER TANK ROD	1
76	SM 186	LOCK COLLAR	3
77	SM 182	COMPRESSION SPRING	1
78	FD 043	WATER GUIDE BRACKET	1
79	T1030	LOCK WASHER	1
80	T2122	CAPSCREW	1
81	SM 174	WATER VALVE	1
82	SM 175	VALVE STEM	1
83	SM 170X	WATER LEVER	1
84	T3007	SET SCREW	1
85	T2082	COTTER PIN, 1/4 X 2 1/2	1
86	T3053	CAPSCREW	2
87	FE 074-SS	WATER TANK BRACKET	1
88	FE 266	Y-PIPE	1
89	T2141	WHEEL BEARING SPACER	4
90	SM 172	WATER HOSE GUIDE	1

NOT PICTURED

PART NUMBER	DESCRIPTION	QTY.
DS 135	6-4 Cable (460 Volt)	100'
DS 134	4-4 Cable (230 Volt)	100'
SM 424	MALE PLUG, 50A, 3 PH (460 Volt)	1
SM 425	FEMALE PLUG, 50A, 3 PH (460 Volt)	1
SM 489	MALE PLUG, 60A , 3 PH (230 Volt)	1
SM 490	FEMALE PLUG, 60A, 3 PH (230 Volt)	1
FE 207	VACUUM HOSE	
LW 078	BRUSH STRIP	
X-E353-RB	DUST SEAL	1
SM 173	36" Water Hose	1
X-49	Cord Connector	1
X 97	Straight Cord Connector	2
X 90	Connector Lock Nut	2
T1109	CABLE CONNECTOR	3
SM 176	Hose Clamp - Water Hose	2
T1065	Grease Zerk Cap	6
T1103	15" Cable Tie	2
T2129	RING TONGUE TERMINAL	3
ZKS120	NAME/SERIAL # PLATE	1
103508	DRIVE SCREW #2	2
T1040	GREASE (LBS)	20