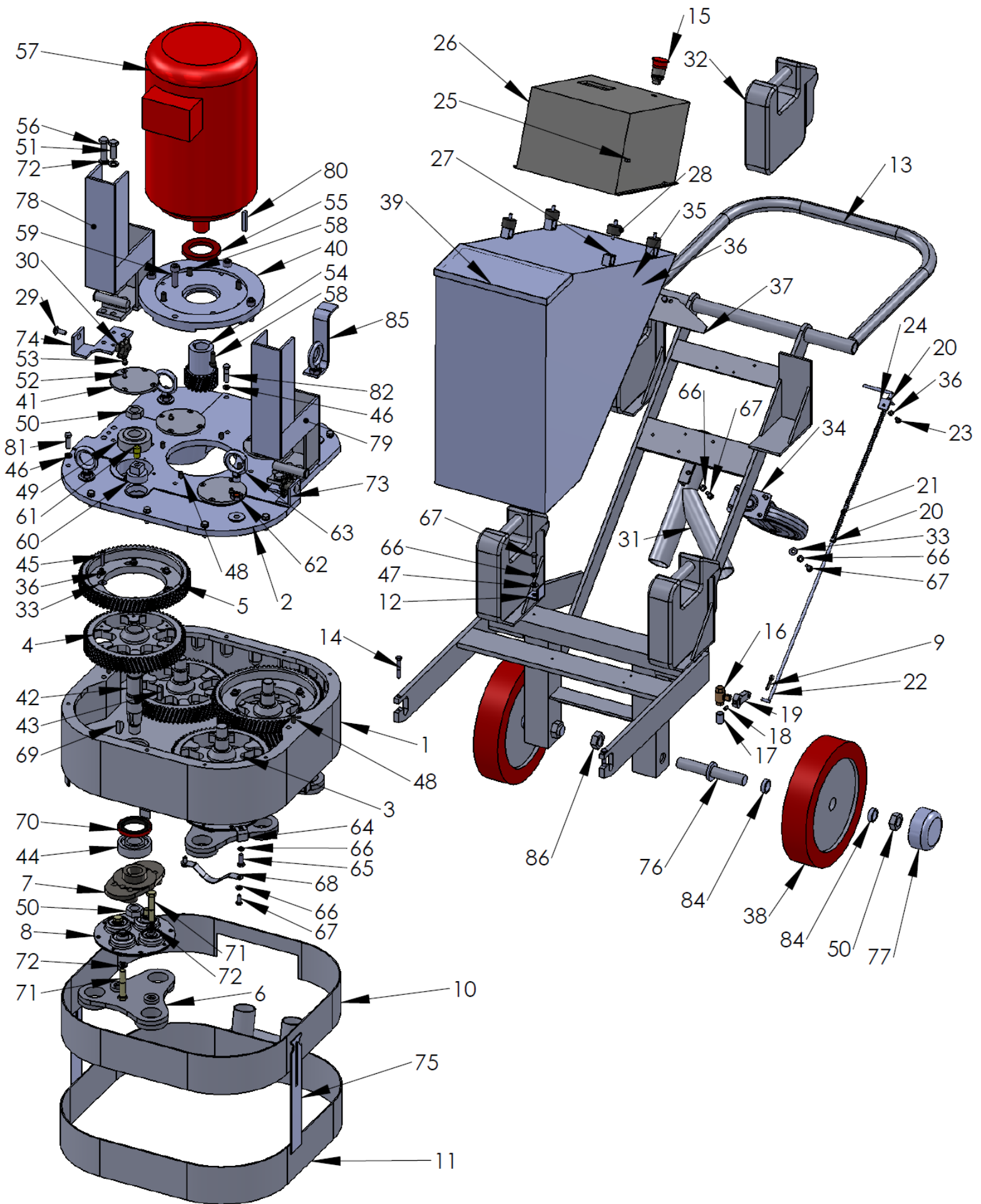


# Model 2000



ITEM NO.	PART NUMBER	DESCRIPTION	QTY
1	FL 1	Lower Gear Case	1
2	FL 3	Gear Case Lid	1
3	FL 5L	Helical Gear - Left Hand	2
4	FL 5R	Helical Gear - Right Hand	2
5	FL 6	Drive Gear	2
6	FL 4C	Plug Stone Holder	4
	FL 130	Speed Shift Plate	4
	FL 121	Universal Tool Plate	4
7	SM 500	Drive Plate	4
8	SM 088	Morflex Coupling	4
9	T2082	Cotter Pin	1
10	FL 122	Stationary Guard	1
11	FL 123	Adjustable Guard	1
12	FE 133-SS	Water Tank Clip	2
13	FLN 009A	Handle Bar	1
14	Z02-1330	Capscrew	2
15	LW 076	Emergency Stop Button	1
16	SM 174	Water Valve	1
17	SM 175	Pipe Nipple	1
18	T3007	Set Screw	1
19	SM 170X	Water Valve Lever	1
20	SM 186	Lock Collar	2
21	SM 182	Compression Spring	1
22	FL 114	Water Lever	1
23	T2122	Capscrew	1
24	FD 043	Water Lever Guide	1
25	05-5010-9	Hex Head Nut	4
26	FE 277	Variable Speed Drive, 20 HP	1
	FE 283	Variable Speed Drive, 15 HP	1
	SM 091C	Manual Start - 10 HP, 1 PH, 230 V	1
	SM 091D	Manual Start - 10 HP, 3 PH, 230 V	1
	SM 091D-460	Manual Start - 10 HP, 3 PH, 460 V	1
27	X-84	Switch Box Mounting Bracket	4
28	FE 251	Vibration Mounts	4
29	T2029	Carriage Bolt	2
30	SM 537	Hand Knob	2
31	SM 457	Y-Pipe	1

ITEM NO.	PART NUMBER	DESCRIPTION	QTY
32	FE 246	Pocket Weight 42 lbs.	4
33	T3015	Washer	16
34	HB 088A	Caster	1
35	T1031	Capscrew	2
36	T1030	Lock Washer	15
37	FE 074	Water Tank Bracket	1
38	DS 007	Wheel	2
39	FE 031B-SS	Water Tank - Stainless Steel	1
40	FL 012	Motor Plate	1
41	FE 027	Bearing Cap	4
42	SM 016	Helical Gear Shaft	4
43	SM 072	Gear Key	4
44	SM 037, SM 036	Bearing and Bearing Cone	4
45	T1089	Capscrew	12
46	T1022	Lock Washer	9
47	T2148	Washer	2
48	FD 040	Dowel Pin	6
49	SM 043, SM 036	Bearing and Bearing Cone	4
50	T2008	Nylon Lock Nut	10
51	T1009	Capscrew	4
52	T3011	Socket Flat Head	16
53	170	Grease Zerk	4
54	FL 011	Motor Pinion	1
55	FL 118	Motor Plate Seal	1
56	T1024	Capscrew	4
57	FL 124	10 HP, 3 PH, 230/460 V, 60 Hz Motor	1
	X-99	10 HP, 1 PH, 230 V, 1800 RPM	1
	FL 115	15 HP, 3 PH, 230/460 V, 1800 RPM	1
58	T2111	Capscrew	4
59	T3048	Capscrew	4
60	X 100	Gear Case Plug	1
61	DS 184	Breather Cap	1
62	T3050	Jam Nut	4
63	X 16	Lift Ring	4
64	SM 028	Stationary Guard Bracket	9
65	T2013	Capscrew	9
66	T1007	Lock Washer	18
67	T2130	Capscrew	9
68	SM 172	Hose Clamp	1

ITEM NO.	PART NUMBER	DESCRIPTION	QTY
69	T2012	Woodruff Key	4
70	SM 169	Seal	4
71	SM 171	Capscrew	16
72	T1012	Lock Washer	24
73	X 118L	Guard Bracket - Left Hand	1
74	X 118R	Guard Bracket - Right Hand	1
75	FL 133	Guard Strap	2
76	FE 020B	Wheel Shaft	2
77	T 2007	Jam Nut	2
78	DS 005	Wheel Cap	2
79	X 120R	Weight Saddle - Right Hand	1
80	X 120L	Weight Saddle - Left Hand	1
81	FE 114	Motor Key	1
82	T1025	Capscrew	7
83	T2004	Capscrew	2
84	T2141	Wheel Bearing Spacer	4
85	FL 134	Tilt Stop	1
86		Jam Nut	2

### NOT PICTURED

PART NUMBER	DESCRIPTION	QTY
DS 135	6-3 Cable (1 PH Input)	100'
DS 134	6-4 Cable (3 PH Input)	100'
SM 420	MALE PLUG, 50A , 1 PH	1
SM 421	FEMALE PLUG, 50A, 1 PH	1
SM 424	MALE PLUG, 50A, 3 PH	1
SM 425	FEMALE PLUG, 50A, 3 PH	1
FE 207	VACUUM HOSE	
LW 078	BRUSH STRIP	
FL 030	DUST SEAL	1
SM 173	36" Water Hose	1
X 94	Reducer Bushing	1
X 97	Straight Cord Connector	2
X 90	Connector Lock Nut	2
LW 086	Hose Clamp - Booster	1
SM 176	Hose Clamp - Water Hose	2
T1065	Grease Zerk Cap	6
T1104	4" Cable Tie	2