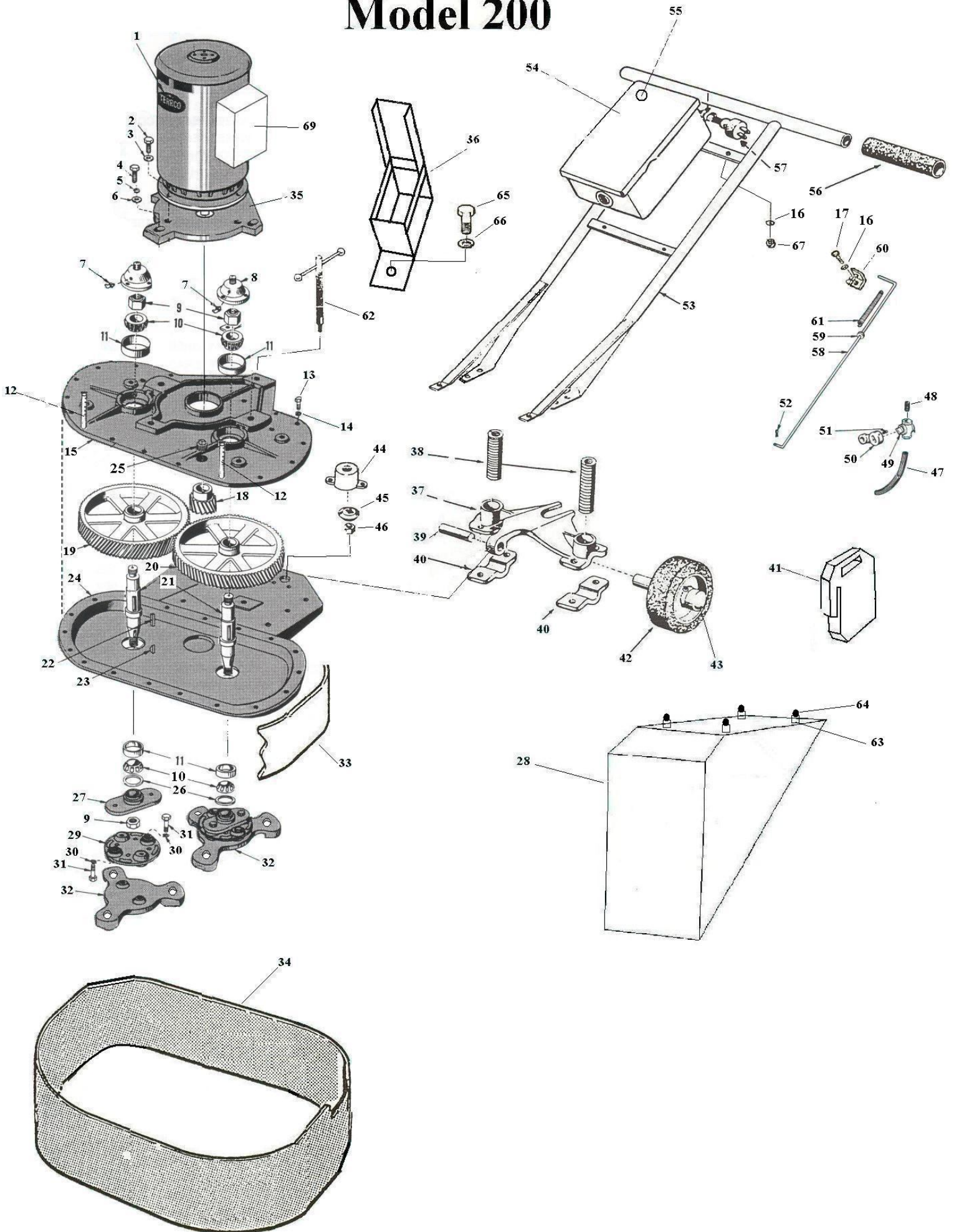


GEAR BOX & HANDLE ASSEMBLY

Model 200



Ref. #	Part #	Description	Qty	Ref. #	Part #	Description	Qty
1	T1019E	Motor	1	51	2080	Set Screw	1
2	2142	Capscrew	4	52	2082	Cotter Pin	1
3	2140	Lock Washer	4	53	AFM1	Handle Bar	1
4	2111	Mounting Ring Bolt	4	54	SM91E	Starter	1
5	T1022	Lock Washer	4	55	LW76	Emergency Stop	1
6	T2053	Washer	4	56	SM57	Handle Grips	2
7	170	Grease Fitting	2	57	LW66	Connector Plug	1
8	AF2	Bearing Cap	2	58	AF79	Water Lever	1
9	1001	Lock Nut	4	59	SM186	Handle Space Collar	1
10	1002	Bearing Cone	4	60	FD43	Water Lever Guide	1
11	1004	Bearing Cup	4	61	SM182	Spring	1
12	X78	Splash Guard Bracket	2	62	AFM10	Adjustable Screw Assy	1
13	1025	Capscrew	14	63	FE251	Rubber Mount	4
14	1022	Lock Washer	14	64	X84	Bracket	4
15	AF5	Gear Case Cover	1	65	T2005	Capscrew	4
16	T1030	Lock Washer	4	66	T1012	Lock Washer	4
17	T1031	Capscrew	1	67	T2003	Nut	4
18	AF18	Pinion	1	68			
19	AF4	Driven Gear R.H.	1	69			
20	AF29	Driven Gear L.H.	1	70			
21	SM16	Gear Shaft	2	71			
22	SM72	Helical Gear Key	2	72			
23	2012	Key	2	73		Parts Not Pictured	
24	AF3	Gear Case	1	74	LW48	Connector	1
25	T1005	Grease Plug	1	75	SM195	#10-3 Cable (feet)	100
26	AF79	Grease Seal	2	76			
27	AF88	Driving Spider	2	77			
28	AF100	Water Tank	1	78			
29	AF87	Morflex Coupling	2	79			
30	2027	Lock Washer	8	80			
31	AF92	Capscrew	8	81			
32	AF98	Stone Spider Plug	2	82			
33	AF97	Stationary Splash Guard	1	83			
34	AF43SS	Adjustable Splash Guard	1	84			
35	AF82	Motor Plate	1	85			
36	AF101	Weight Basket	2	86			
37	AF44	Truck Spider	1	87			
38	T1028	Spring	2	88			
39	AF21	Pin	1	89			
40	AF45	Cap	2	90			
41	FE246	Pocket Weight, Casting, 42 Lbs	4	91			
42	AF53	Wheel	2	92			
43	AF56	Wheel Cap	2	93			
44	AF40	Grease Retainer	1	94			
45	21153	Bearing	1	95			
46	T1027	Nut	1	96			
47	SM173	Clear Water Hose	1	97			
48	FE189	Valve Stem	1	98			
49	FE72	Water Valve	1	99			
50	LW10	Water Tank Lever	1	100			